



FULL SUPPORT SWING SEAT ASSEMBLY INSTRUCTIONS

BATCH 0821 FSSS0419

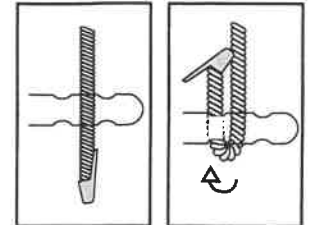
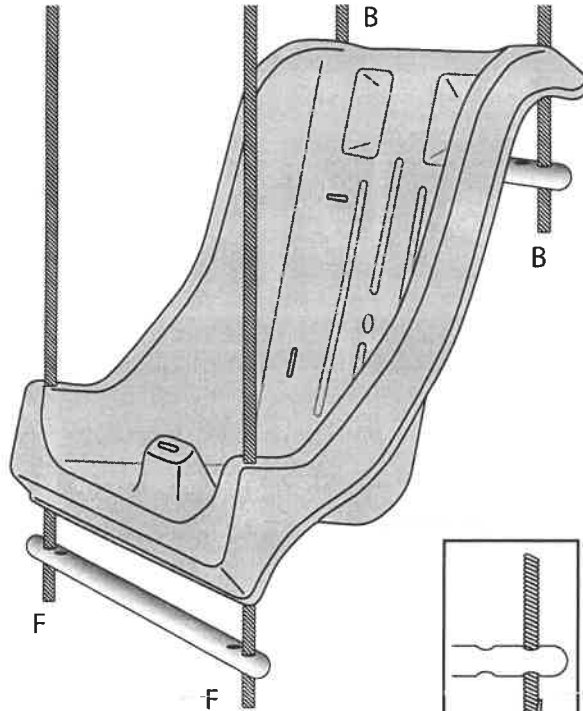
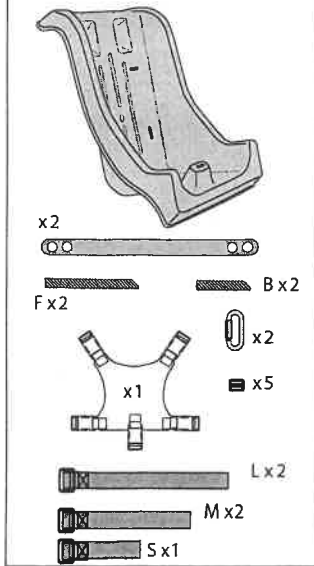
READ, KEEP & FOLLOW THESE SAFETY INSTRUCTIONS

- Product to be assembled by an adult.
- Always use under adult supervision.
- Always use the harness.
- This product is a toy, it is not to be used as a restraint.
- Inspect for damage or wear before each use.
- Do not assemble or use if parts are missing or damaged.



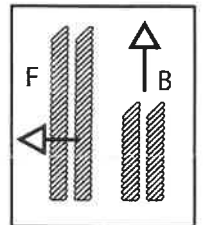
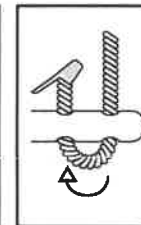
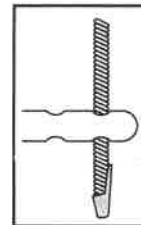
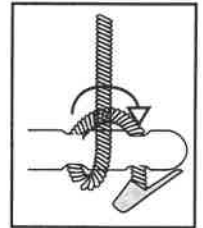
Adjust ropes to tilt seat backwards so that feet cannot touch the floor.

CONTENTS



Short Ropes to the Back

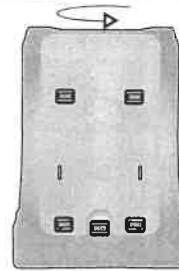
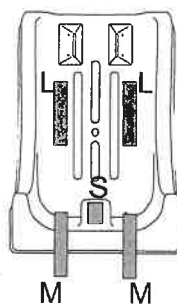
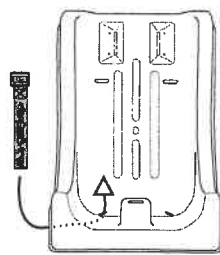
Long Ropes go to the Front



Pass the 5 Harness Anchors through the holes from Back to front.

The Short Anchor goes through the Pommel

The Longest are for the Shoulders.



All swing seat harnesses are potentially an entanglement and strangulation hazard and their use should always be supervised.

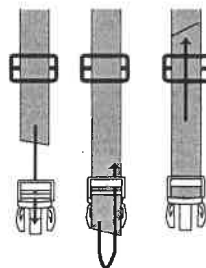
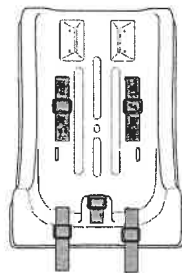


If your swing is in a location where it is not always possible to foresee when it will be used and by whom then you should remove the harness.

Add a Triglides to each Harness Anchor.

Then Join to the 5 Male Clips found on the Harness

Adjust to fit and secure by passing back through the triglide



TFH UK, 5-7 Severnside Business Park, Severn Road, Stourport-on-Severn, Worcestershire DY13 9HT
T: 01299 827820 F: 01299 827035 E: tfh@tfhuk.com

Made in UK by TFH

www.specialneedstoys.com