

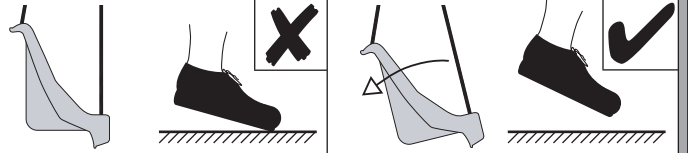


# FULL SUPPORT SWING SEAT ASSEMBLY INSTRUCTIONS

FSS0514

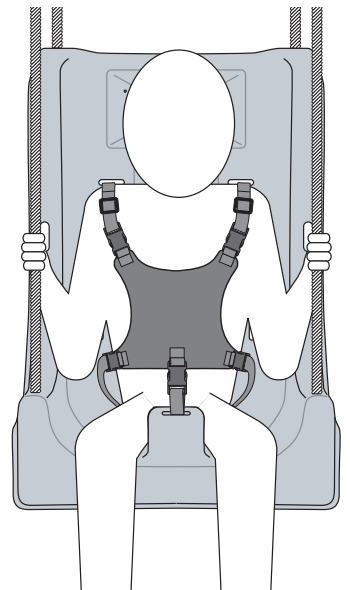
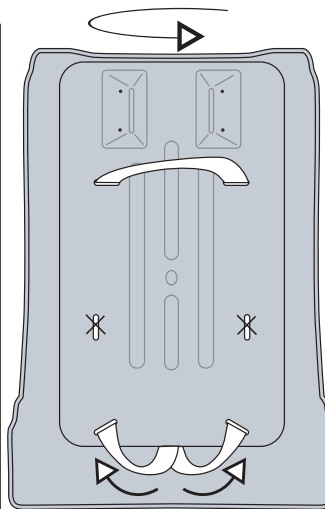
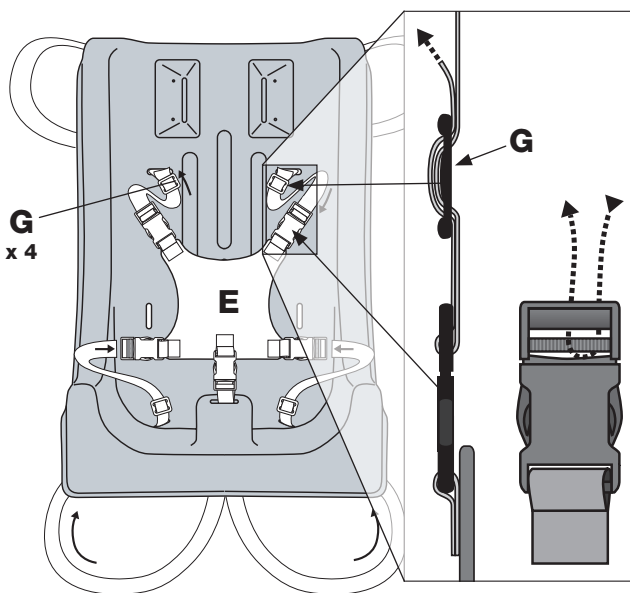
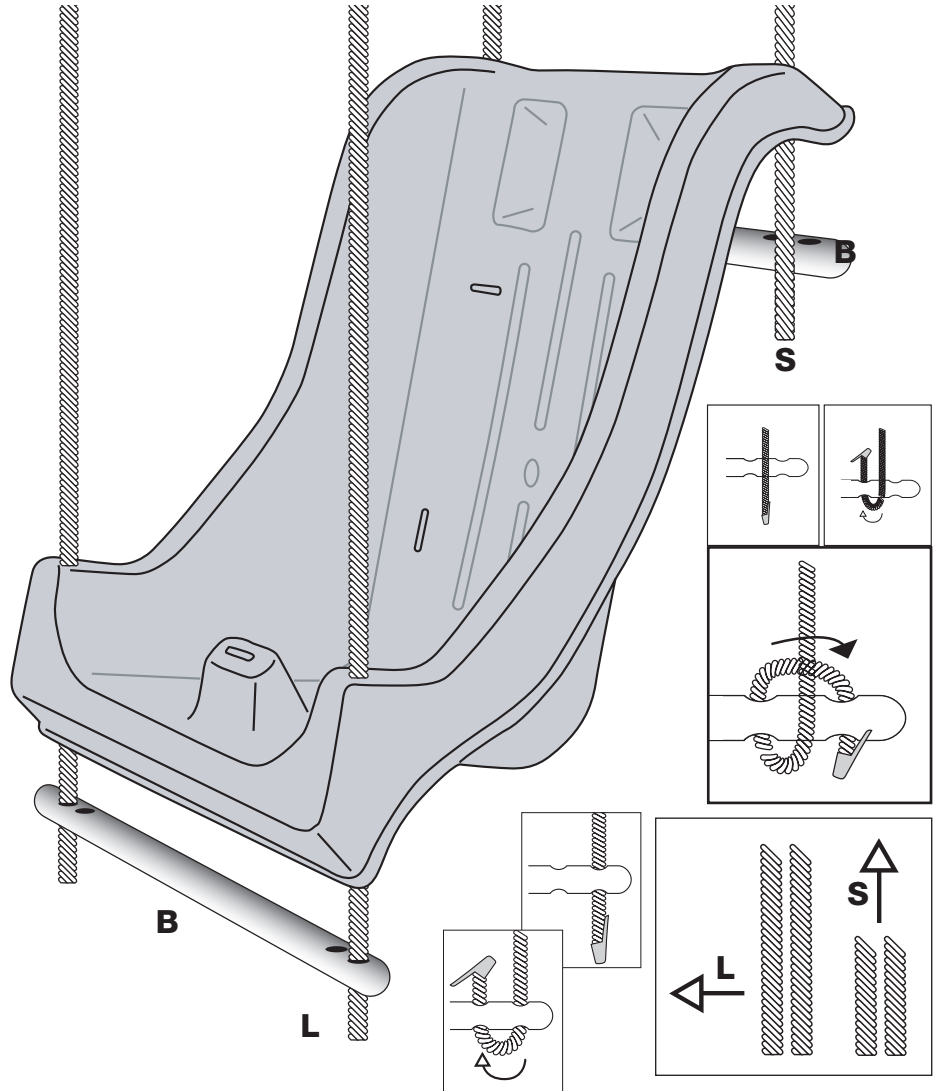
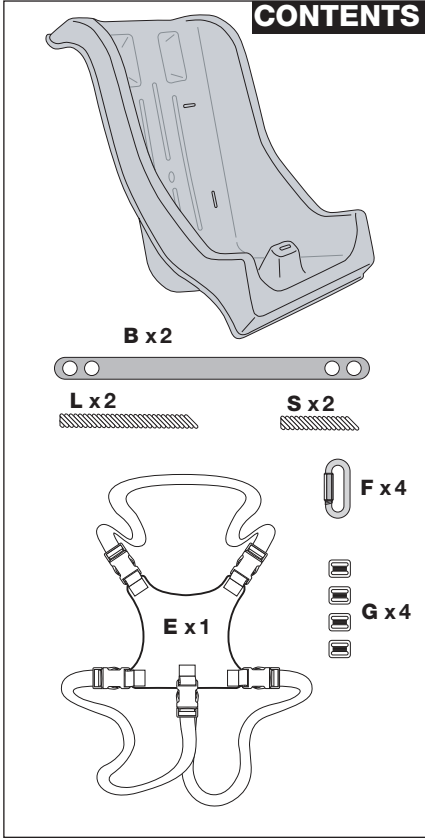
## READ, KEEP & FOLLOW THESE SAFETY INSTRUCTIONS

- Product to be assembled by an adult.
- Always use under adult supervision.
- Always use the harness.
- This product is a toy, it is not to be used as a restraint.
- Inspect for damage before each use.
- Do not assemble or use if parts are missing or damaged.



Adjust ropes to tilt seat backwards so that feet cannot touch the floor.

## CONTENTS



Please note: this harness is for comfort, support and correct positional swinging. It is NOT a safety restraint.



TFH UK, 5-7 Severnside Business Park, Severn Road, Stourport-on-Severn, Worcestershire DY13 9HT  
T: 01299 827820 F: 01299 827035 E: tfh@tfhuk.com

Made in UK by TFH

[www.specialneedstoys.com](http://www.specialneedstoys.com)



## **SAFETY**

The safety of your child depends on these instructions.

This is an activity toy with moving parts.

Regular checks are essential, in order to prevent the toy from becoming a hazard.

### **Maintenance**

Make deliberate and thorough checks at the beginning of each season.

- Check Swing Seat's body, ropes (or chains), S hooks and pay particular to the highest (moving) point of attachment for evidence of deterioration.
- Do not use the Swing Seat if there is evidence of deterioration. Contact TFH for replacements, which should be installed in accordance with instructions.

**This Full Support Swing Seat conforms to EN 71-8 (Domestic use Swing toy.)**

Accordingly

This toy is for Family Domestic use Outdoors.

The Swing Seat should be hung above a level surface at least 2m from any structure or obstruction such as a fence, garage, house, overhanging branches, laundry lines or electrical wires.

The Swing Seat shall not be suspended over concrete, asphalt or any other hard surface.

**EN71** is a generic toy standard designed to protect children. The standard does not take into account the additional safety features (High back, Pommel, 5 point Harness) or the instructions specifying the importance of supervision included with this toy.

Accordingly

The Full Support Swing Seat has been tested beyond EN71 standards in terms of weight, these tests suggest that the seat is safe for riders of up to 90Kg (14stone).

By following the instructions regarding supervision and the use of the harness (page 1) it is possible that the Full Support Swing Seat may also be safely used: at a public facility; indoors; within 2m from other structures; or above a hard surface.

### **Accessories**

Changes to the Swing Seat must be carried out according to instructions from TFH.

